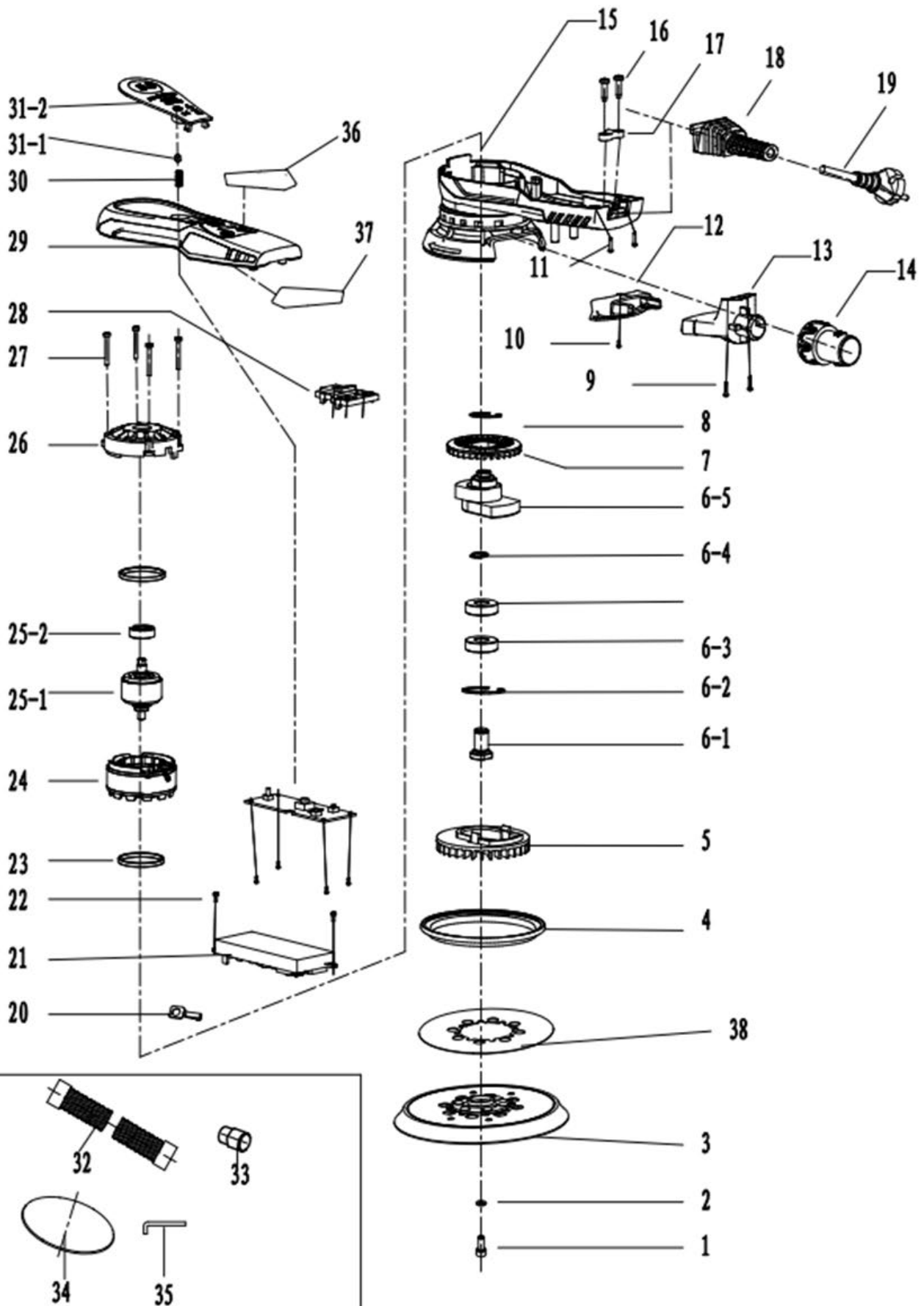


ST0370005N LEVIGATRICE BRUSHLESS D.150 ORB. 5mm



POS.	COD. ABREX	DESCRIZIONE / DESCRIPTION
1		Screw M8*16
2		Multi-tooth flower cushion ϕ 8
3	ST0375003N	PLATORELLO D.150 /Sanding pad assy D.150mm
4	ST0375004N	FRENAPLATORELLO / Vacuum tray
5		Vacuum fan
6-1	ST03756-1N	ALBERO / Output shaft
6-2	ST03756-2N	ANELLO ELASTICO /snap ring ϕ 28
6-3	ST03756-3N	CUSCINETTO / bearing6001-2RS
6-4	ST03756-4N	CLIP DI CHIUSURA / Circlip ϕ 12
6-5	ST03756-5N	ECCENTRICO /Eccentric block 5.0 sander
7		fan
8		Circlip ϕ 22
9		Screw ST3*20
10		Screw ST3*6
11		Screw ST3*16
12		Dust adaptor
13		Dust outlet
14		Dust hose
15		cover
16		Screw ST4*12

POS.	COD. ABREX	DESCRIZIONE / DESCRIPTION
17		Cable plate
18		Cable sleeve
19		VDE plug with 2.15m rubber Cable
20		ϕ 3.2 round buckle
21	ST0375021N	PCB CONTROLLER / PCB ASSY
22		screw ST3*10
23		Dust-proof washer
24		Stator
25-1		Rotor
25-2		bearing 608.2RZ
26		Rotor cover
27		screw ST3*28
28	ST0375028N	TASTIERA LED / LED cap
29	ST0375029N	COVER SUPERIORE / Upper cover
30	ST0375030N	MOLLA LEVA / Spring
31-1 / 31-2	ST0375031N	LEVA START + MAGNETE / Switch paddle
Accessories:		
32		dust hose (1m)
33		Dust adaptor
34		sanderpaper
35		Wrench

*** GLI ARTICOLI EVIDENZIATI SONO DISPONIBILI COME RICAMBIO**