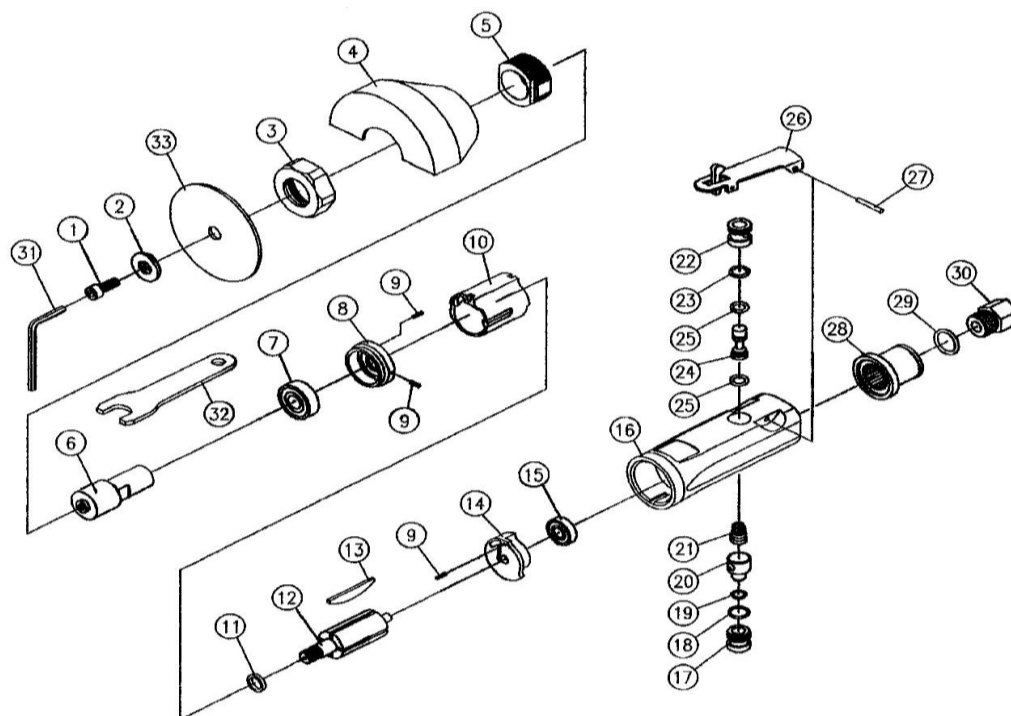


# UP0170000

## TRONCATRICE ANGOLARE Ø75\*2\*9



Item No.	Ref. No.	Description	Q'ty
1	UP0170001	HEX SCREW / VITE	1
2	UP0170002	SPOCER / RONDELLA	1
3	UP0170003	LOCK NUT / DADO	1
4	UP0170004	PROTECTOR GUARD / CARTER	1
5	UP0170005	LOCK NUT	1
6	UP0170006	SPINDLE / MANDRINO	1
7	UP0170007	FRONT ROTOR BALL BEARING / CUSCINETTO FRONTALE ROTORE	1
8	UP0170008	FRONT END PLATE	1
9	UP0170009	ROLL PIN	3
10	UP0170010	CYLINDER	1
11	UP0170011	ROTOR COLLAR	1
12	UP0170012	ROTOR / ROTORE	1
13	UP0170013	ROTOR BLADE / PALETTE ROTORE	4
14	UP0170014	REAR END PLATE	1
15	UP0170015	REAR END BALL BEARING / CUSCINETTO POSTERIORE ROTORE	1
16	UP0170016	MOTOR HOUSING / CORPO	1
17	UP0170017	VOLVE SCREW / VITE	1

Item No.	Ref. No.	Description	Q'ty
18	UP0170018	VOLVE SCREW "O" RING / O RING CHIUSURA VAVOLA	1
19	UP0170019	REGULATOR "O" RING / O RING REGOLATORE	1
20	UP0170020	AIR REGULATOR / REGOLATORE ARIA	1
21	UP0170021	THROTTLE VALVE SPRING / MOLLA VALVOLA	1
22	UP0170022	THROTTLE VALVE BUSHING / BOCCOLA VALVOLA	1
23	UP0170023	VALVE BUSHING "O" RING / O RING VALVOLA	1
24	UP0170024	THROTTLE VALVE / VALVOLA A FARFALLA	1
25	UP0170025	THROTTLE VALVE "O" RING / O RING VALVOLA	2
26	UP0170026	THROTTLE LEVER / LEVA DI AVVIO	1
27	UP0170027	THROTTLE LEVER PIN / SPINA ELASTICA	1
28	UP0170028	EXHAUST DEFLECTOR	1
29	UP0170029	INLET BUSHING "O" RING	1
30	UP0170030	AIR INLET BUSHING	1
31	UP0170031	HEX. WRENCH	1
32	UP0170032	SPANNER / CHIAVE	1
33	UP0170033	CUTTING WHEEL	1
34	UP0170034	HOUSING RUBBER	1

RICAMBI DISPONIBILI